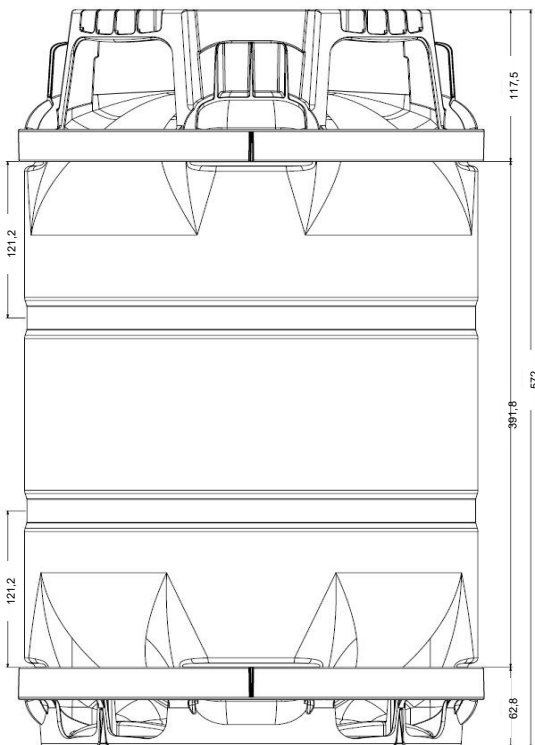
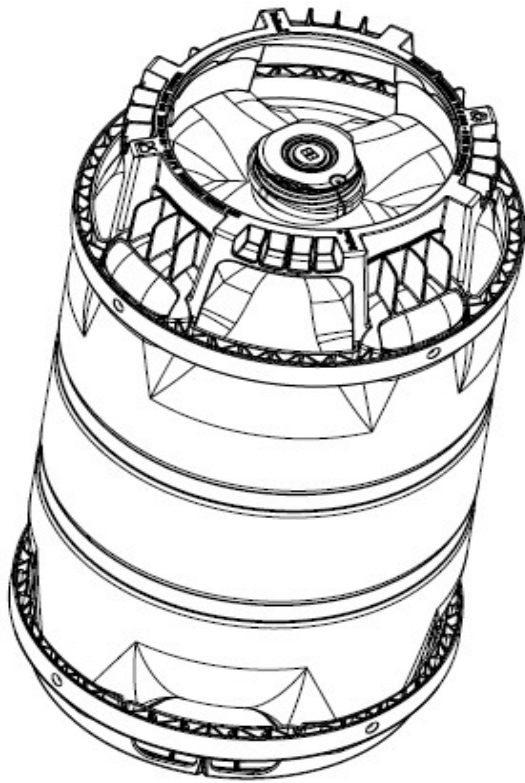


Dolium® 30L G

PRODUCT NUMBER : 10-30G-02



Characteristics

KEG	
Cycle	single use
Volume	30L
Dimensions	D x H = 301 x 572 mm
Weight (empty)	1,2 kg
Temperature	0°C < T < 35°C
Pre- pressure	1,0 bar CO ₂ / N
Working pressure	3,5 bar max.
Pressure Relief Valve	5,0 bar +/- 0,2 bar

CONTAINER	
Oxygen ingress	Active barrier
Carbondioxide	Passive barrier
UV ingress	UV light barrier

CONNECTION	
Type	Trilobe type = G(rundy)-type

CHIMES	
Handling	vertical and horizontal
Storage	stackable

APPLICATIONS	
Products	Beverages
Shelf life	Equal to stainless steel
Certificates	EU / FDA
Filling line	compatible - check recommended
Draught installation	compatible
Recyclable	100%

for further detailed information please see Handling & Safety instructions

Special features

Contact

Dispack-projects NV

Address: Vosseschijnstraat 192A
 Town: 2030, Antwerp
 Country: Belgium

E-mail: sales@dolium.eu
 Website: www.dolium.eu